

SPECIFICATION

DT-CCM-2006



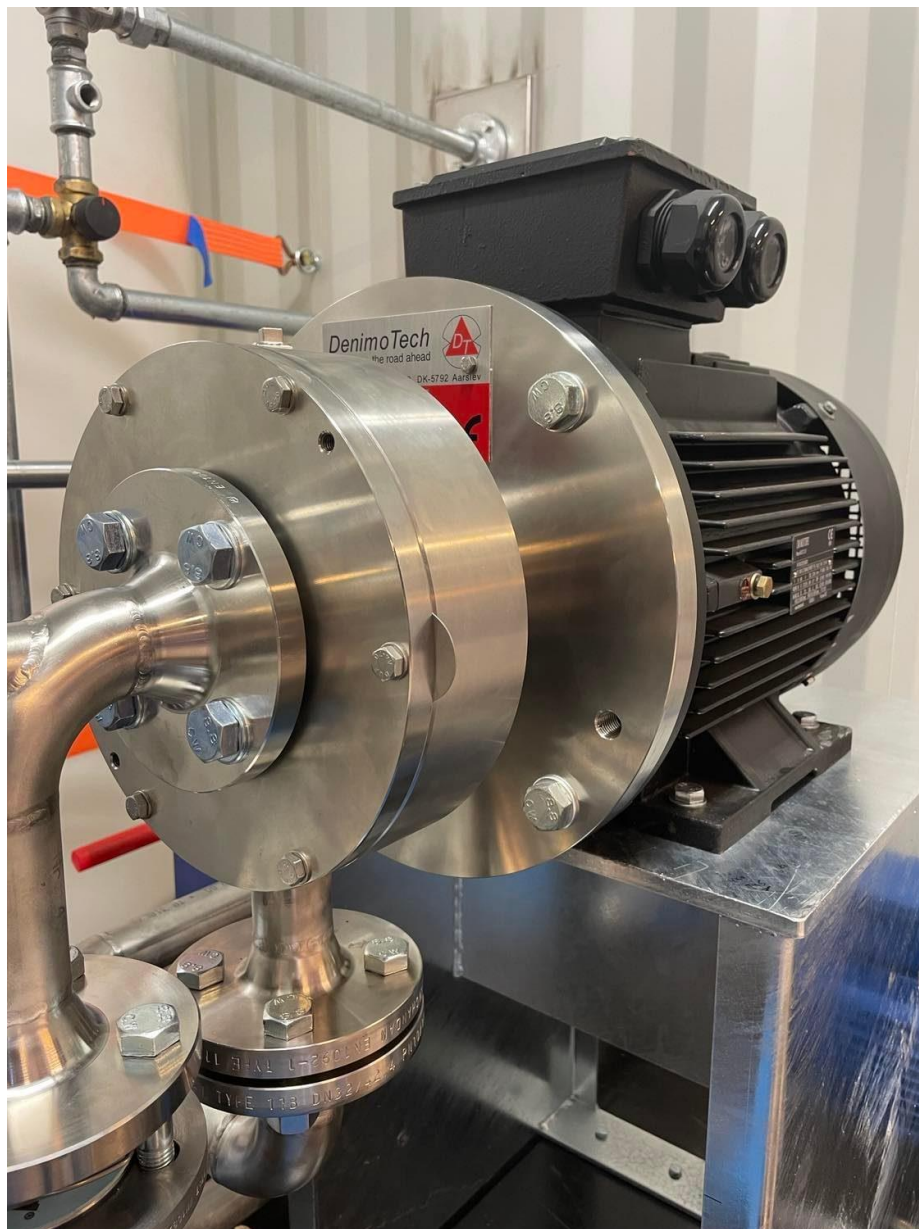
DT COMPACT COLLOID MILL

FOR BITUMEN EMULSION PRODUCTION

Capacity: 1-3 TPH, 3-7 TPH, 7-15 TPH and 15-30 TPH.

Manufacturer:

*DENIMOTECH A/S
Haandvaerkervangen 12
DK-5792 Aarslev
Denmark*



PROCESS DESCRIPTION

The DENIMOTECH Compact Colloid Mills are especially designed for production of bitumen emulsion production.

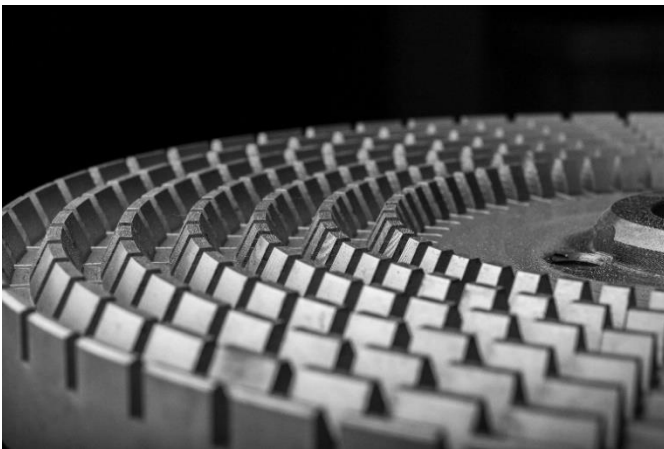
The mill is further designed for high efficiency resulting in a low power use relative to the production rate. Direct flange mounting on the electrical motor gives a simple, space saving, low-noise installation.

The Compact Colloid Mills are delivered as complete units including electrical motor.

EQUIPMENT SPECIFICATION

The Compact Colloid Mill housing and all other wetted parts are manufactured in AISI304, stainless steel to avoid corrosion and the material is ideal for easier cleaning.

The rotor and stator system consist of two discs with a pattern of teeth and grooves. The bitumen and water phase enter the mill house through the centre of the stator and the milling takes place as the streams are pushed radially out between the rotor and the stator.



The gap between the rotor and stator can be adjusted from 2 to 4 mm. (standard setting is 3 mm.)

The adjustment can be done by adding or removing the shims.

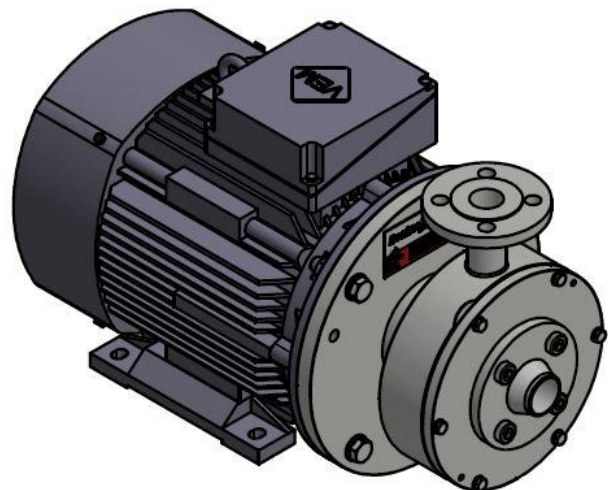
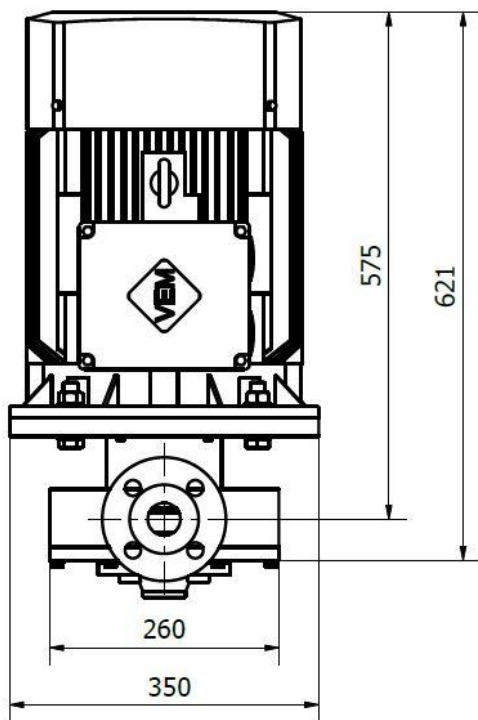
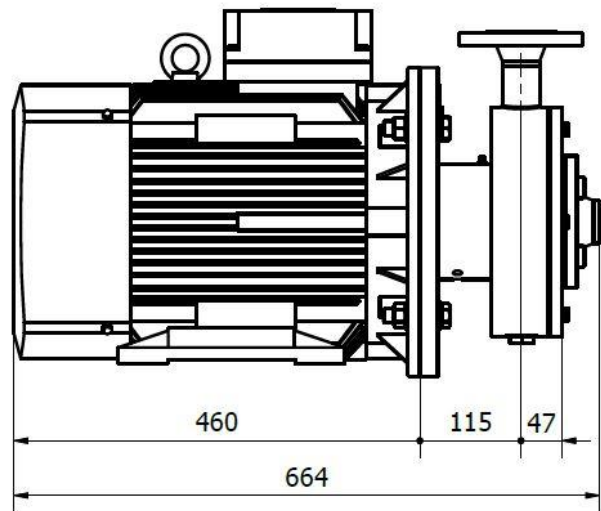
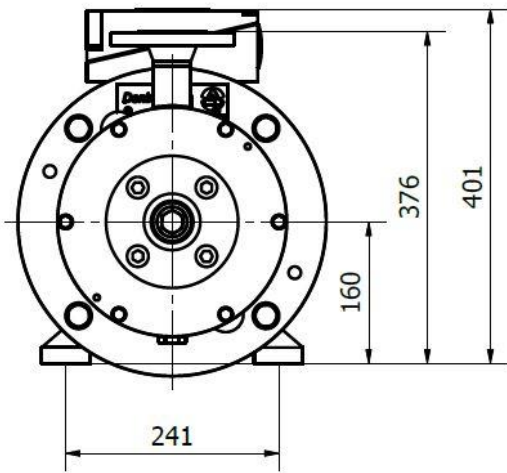
The rotor and stator are designed to create the adequate turbulent forces with a minimum of energy input.

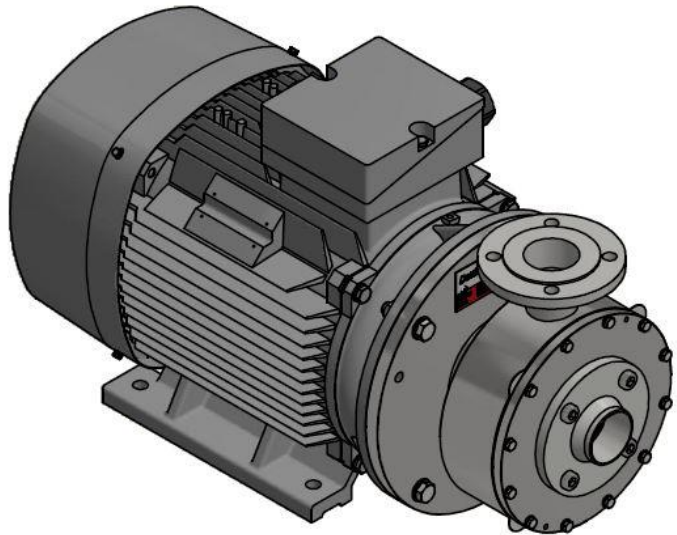
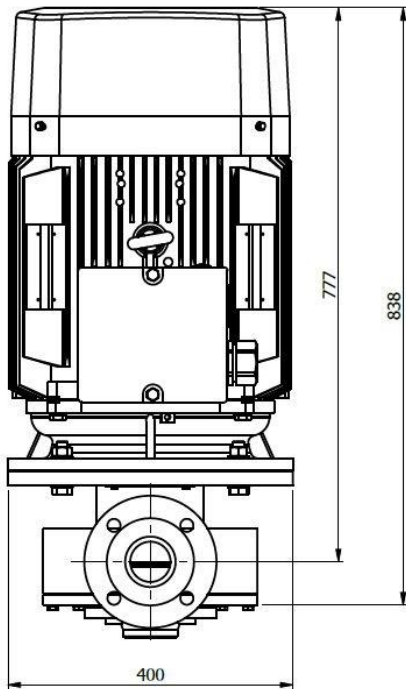
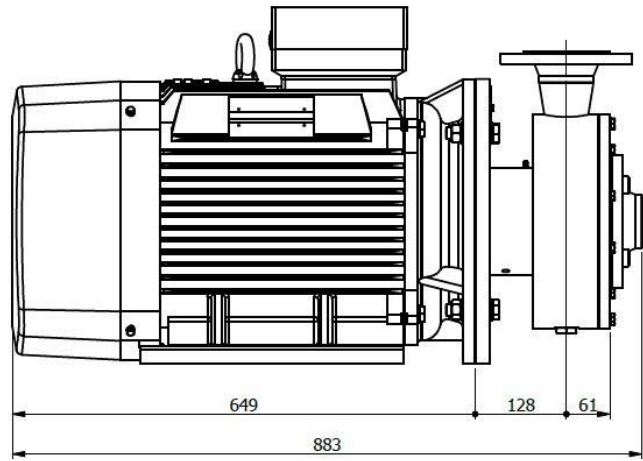
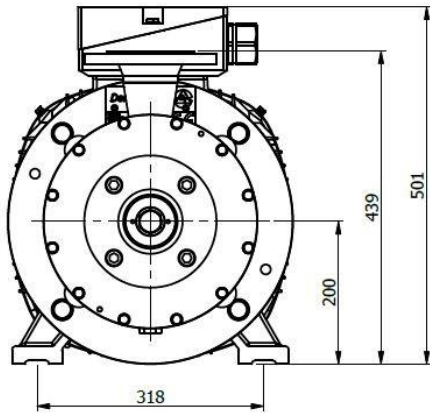
The shaft seal system consists of two lip seal with pressure greasing in between.

A mill from DENIMOTECH A/S is supplied with the following items:

- Fully assembled mill
- Special tools for disassembly of rotor
- Standard AC motor.
- Option: Special manifold for injection of water phase and bitumen

CCM 3 – 7 TPH





TECHNICAL DATA

Parameter	Unit	Mill Size			
		CCM-03	CCM-07	CCM-15	CCM-30
Type		CCM-03	CCM-07	CCM-15	CCM-30
Capacity	ton/hr	1 - 3	4 – 7	11 – 15	20 - 30
Rotor Speed	RPM	3000/3600			
Design Pressure	bar	4			
Design Temperature	C°	130			
Rotor / Stator gap Standard 3mm	mm	2.0-3.0-4.0			
Noise level	dB (A)	<80			
Pipe connection Inlet / Outlet	DN	DN40 / 40	DN40 / 40	DN65 / 65	DN65 / 80
Length x Width x Height	mm	664 x 350 x 401 mm		883 x 400 x 501 mm	
Weight	kg	140	180	275	335
Electrical data					
Voltage		3 x 400V ~ 3 x 480V +PE			
Power consumption	kW	11	15	30	37
Frequency range	Hz	50/60			
Amperage	A	20.2	27.4	55.4	68.4
Option					
Manifold Water / Bitumen	DN	DN25 / 40		DN25 / 50	DN32 / 65

- Adjustable speed is optional



DenimoTECH A/S
Haandvaerkervangen 12
DK-5792 Aarslev
Denmark

tel.: +45 6390 5000
email: sales@denimotech.com
www.denimotech.com

